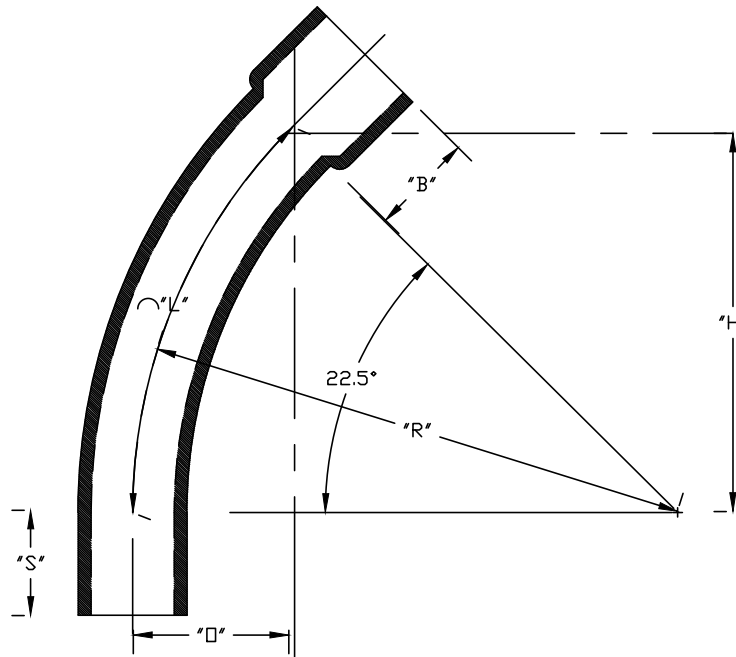


PART NUMBER	SIZE	"R"	"O"	"H"	"S" MIN	"B" MIN	"L"
5123710	3"	30"	2 1/4"	11 1/2"	3 1/8"	1 5/8"	11 3/4"
5123707	5"	30"	2 1/4"	11 1/2"	3 5/8"	2"	11 3/4"



NOT A LISTED PRODUCT
 CONFORMS TO NEMA TC 6&8 and
 ASTM F-512
 MATERIAL IS RIGID PVC
 BEND TOLERANCE IS $\pm 2^\circ$
 ALL DIMENSIONS ARE NOMINAL

CANTEX
 INC.
 Fort Worth, TEXAS

22-1/2° Elbows Bell End
 TC-6 30" Radius Elbows

Drawn By: D. Gwinn | Date: 3/11/19 | Ref. 5123710