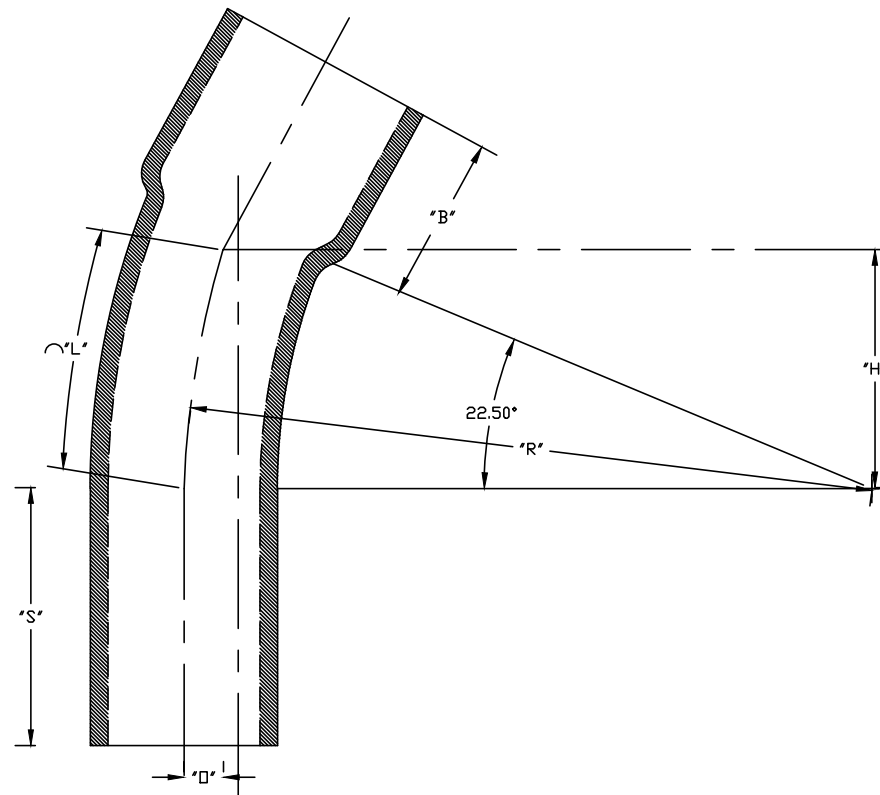


PART NUMBER	SIZE	"R"	"D"	"H"	"S" MIN	"B" MIN	"L"
5121873	5"	300"	23"	115"	3 3/8"	2"	117.81"



ETL LISTED  
 CONFORMS TO UL651  
 ETL CONTROL #3107144  
 CONFORMS TO NEMA TC3  
 SEE NEC ARTICLE 352 FOR USE  
 MATERIAL IS RIGID PVC  
 BEND TOLERANCE IS ±2°

Dimensions are nominal



<b>CANTEX</b> INC. Fort Worth, TEXAS		
22-1/2° Elbows Bell End Schedule 80 300" Radius Elbows		
Drawn By: D. Gwinn	Date: 3/14/18	Ref. 5121873