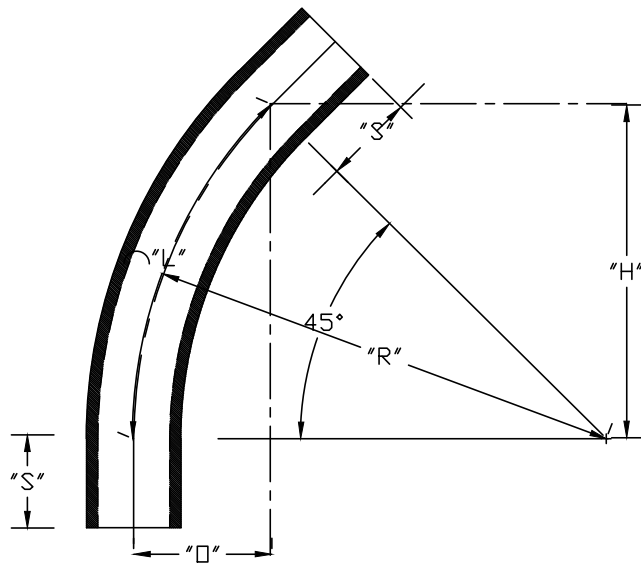


PART NUMBER	SIZE	"R"	"□"	"H"	"S" MIN	"B" MIN	"L"
5136500	1"	24"	17"	7"	1 7/8"	N/A	18 7/8"
5136512	1 1/4"	24"	17"	7"	2"	N/A	18 7/8"
5163533	1 1/2"	24"	17"	7"	2"	N/A	18 7/8"
5121101	2"	24"	17"	7"	2"	N/A	18 7/8"
5121943	2 1/2"	24"	17"	7"	3"	N/A	18 7/8"
5121014	3"	24"	17"	7"	3 1/8"	N/A	18 7/8"
5121089	4"	24"	17"	7"	3 3/8"	N/A	18 7/8"



ETL LISTED  
 CONFORMS TO UL651  
 ETL CONTROL #3107144  
 CONFORMS TO NEMA TC3  
 SEE NEC ARTICLE 352 FOR USE  
 MATERIAL IS RIGID PVC  
 BEND TOLERANCE IS ±2°



**CANTEX**  
 INC.  
 Fort Worth, TEXAS

45° Elbows Plain End  
 Schedule 80 24" Radius Elbows

Drawn By: D. Gwinn    Date: 2/13/19    Ref. 5136500