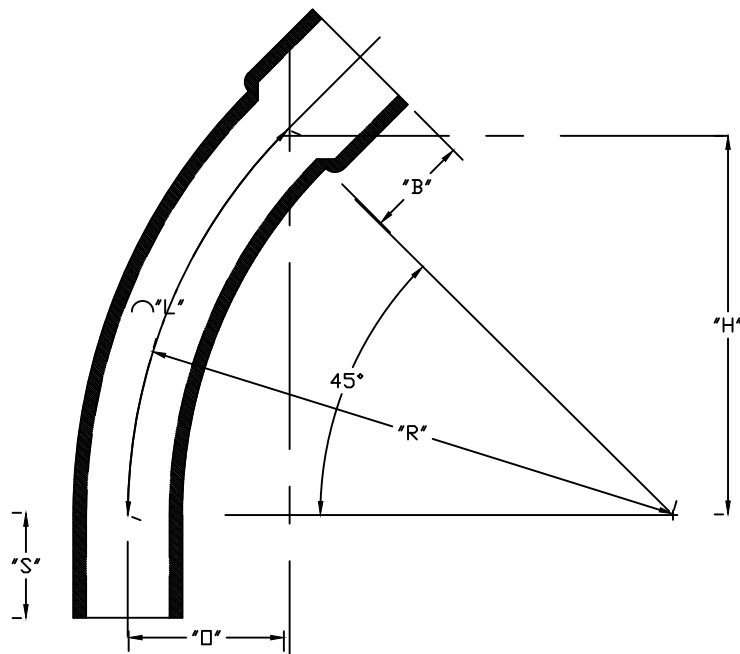


PART NUMBER	SIZE	"R"	"□"	"H"	"S" MIN	"B" MIN	"L"
5221005	2"	150"	43 $\frac{15}{16}$ "	106 $\frac{1}{16}$ "	3 $\frac{1}{4}$ "	3 $\frac{1}{4}$ "	117 $\frac{13}{16}$ "
5221090	3"	150"	43 $\frac{15}{16}$ "	106 $\frac{1}{16}$ "	4"	4"	117 $\frac{13}{16}$ "
5121043	4"	150"	43 $\frac{15}{16}$ "	106 $\frac{1}{16}$ "	4 $\frac{1}{2}$ "	4 $\frac{1}{2}$ "	117 $\frac{13}{16}$ "
5121097	5"	150"	43 $\frac{15}{16}$ "	106 $\frac{1}{16}$ "	5 $\frac{1}{2}$ "	5 $\frac{1}{2}$ "	117 $\frac{13}{16}$ "
5136972	6"	150"	43 $\frac{15}{16}$ "	106 $\frac{1}{16}$ "	6"	6"	117 $\frac{13}{16}$ "



ETL LISTED
 CONFORMS TO UL651
 ETL CONTROL #3107144
 CONFORMS TO NEMA TC3
 SEE NEC ARTICLE 352 FOR USE
 MATERIAL IS RIGID PVC
 BEND TOLERANCE IS $\pm 2^\circ$



CANTEX INC. Fort Worth, TEXAS		
45° Elbows, Bell End Schedule 80 150" Radius Elbows		
Drawn By: O.M.	Date: 5/12/17	Ref. 5221090