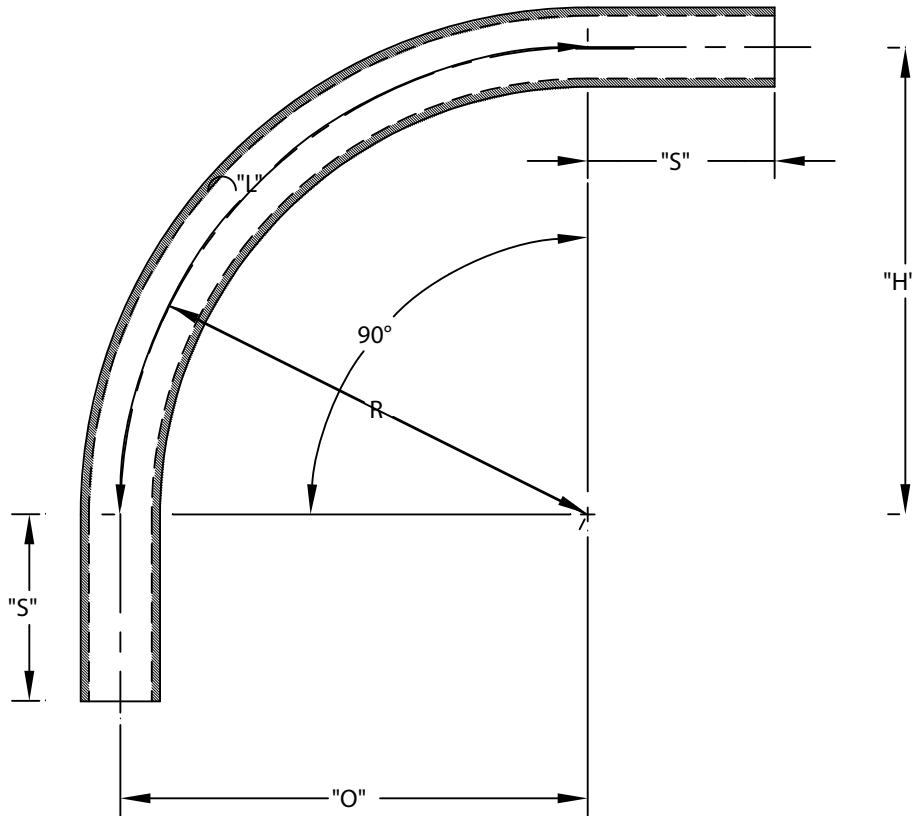


PART NUMBER	SIZE	"R"	"O"	"H"	"S" MIN	"B" MIN	"L"
5121102	1 ½ "	60"	60"	60"	2"	N/A	94 ¼ "
5121086	2"	60"	60"	60"	2"	N/A	94 ¼ "
5136970	3"	60"	60"	60"	3 ⅛ "	N/A	94 ¼ "
5121085	4"	60"	60"	60"	3 ¾ "	N/A	94 ¼ "
5121017	5"	60"	60"	60"	3 ⅝ "	N/A	94 ¼ "
5121087	6"	60"	60"	60"	3 ¾ "	N/A	94 ¼ "



ETL LISTED
 CONFORMS TO UL651
 ETL CONTROL #3107144
 CONFORMS TO NEMA TC3
 SEE NEC ARTICLE 352 FOR USE
 MATERIAL IS RIGID PVC
 BEND TOLERANCE IS ±2°



CANTEX

INC.
 Fort Worth, TEXAS

90° Elbows Plain End
 Schedule 80 60" Radius Elbows

Drawn By: CD Branch

Date: 10/15/07

Ref.