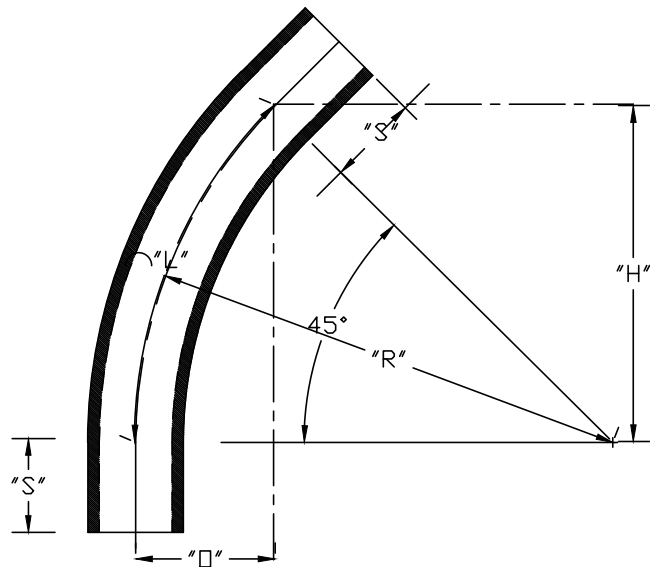


PART NUMBER	SIZE	"R"	"O"	"H"	"S" MIN	"B" MIN	"L"
5136502	1"	36"	10 ½"	25 ½"	1 ⅞"	N/A	28 ¼"
5136514	1 ¼"	36"	10 ½"	25 ½"	2"	N/A	28 ¼"
5136533	1 ½"	36"	10 ½"	25 ½"	2"	N/A	28 ¼"
5121098	2"	36"	10 ½"	25 ½"	2"	N/A	28 ¼"
5121150	2 ½"	36"	10 ½"	25 ½"	3"	N/A	28 ¼"
5121077	3"	36"	10 ½"	25 ½"	3 ⅛"	N/A	28 ¼"
5119821	4"	36"	10 ½"	25 ½"	3 ⅜"	N/A	28 ¼"
5119820	5"	36"	10 ½"	25 ½"	3 ⅝"	N/A	28 ¼"
5121072	6"	36"	10 ½"	25 ½"	3 ¾"	N/A	28 ¼"



ETL LISTED
 CONFORMS TO UL651
 ETL CONTROL #3107144
 CONFORMS TO NEMA TC3
 SEE NEC ARTICLE 352 FOR USE
 MATERIAL IS RIGID PVC
 BEND TOLERANCE IS ±2°



CANTEX
 INC.
 Fort Worth, TEXAS

45° Elbows, Plain End
 Schedule 80 36" Radius Elbows

Drawn By: D. Gwinn

Date: 2/13/19

Ref. 5136502