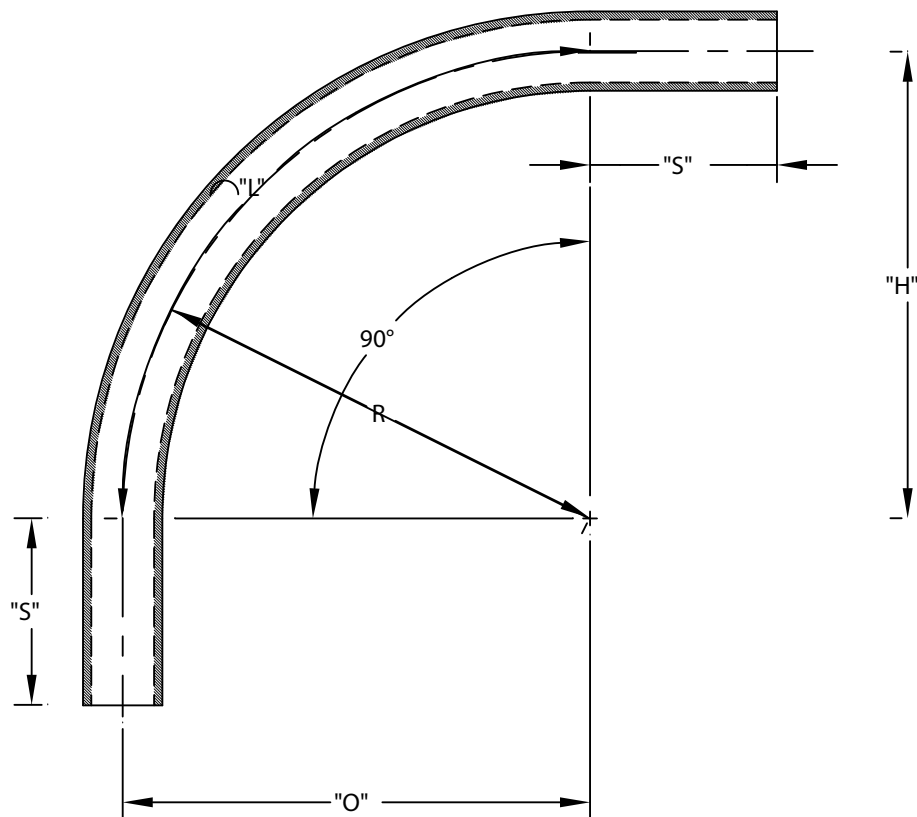


PART NUMBER	SIZE	"R"	"O"	"H"	"S" MIN	"B" MIN	"L"
5121065	1"	48"	48"	48"	1 7/8"	N/A	75 3/8"
5121076	1 1/2"	48"	48"	48"	2"	N/A	75 3/8"
5121075	2"	48"	48"	48"	2"	N/A	75 3/8"
5121030	2 1/2"	48"	48"	48"	3"	N/A	75 3/8"
5121082	3"	48"	48"	48"	3 1/8"	N/A	75 3/8"
5121024	4"	48"	48"	48"	3 3/8"	N/A	75 3/8"
5121025	5"	48"	48"	48"	3 5/8"	N/A	75 3/8"
5121026	6"	48"	48"	48"	3 3/4"	N/A	75 3/8"



ETL LISTED  
 CONFORMS TO UL651  
 ETL CONTROL #3107144  
 CONFORMS TO NEMA TC3  
 SEE NEC ARTICLE 352 FOR USE  
 MATERIAL IS RIGID PVC  
 BEND TOLERANCE IS  $\pm 2^\circ$



**CANTEX**  
 INC.  
 Fort Worth, TEXAS

90° Elbows Plain End  
 Schedule 80 48" Radius Elbows

Drawn By: CD Branch

Date: 10/15/07

Ref.