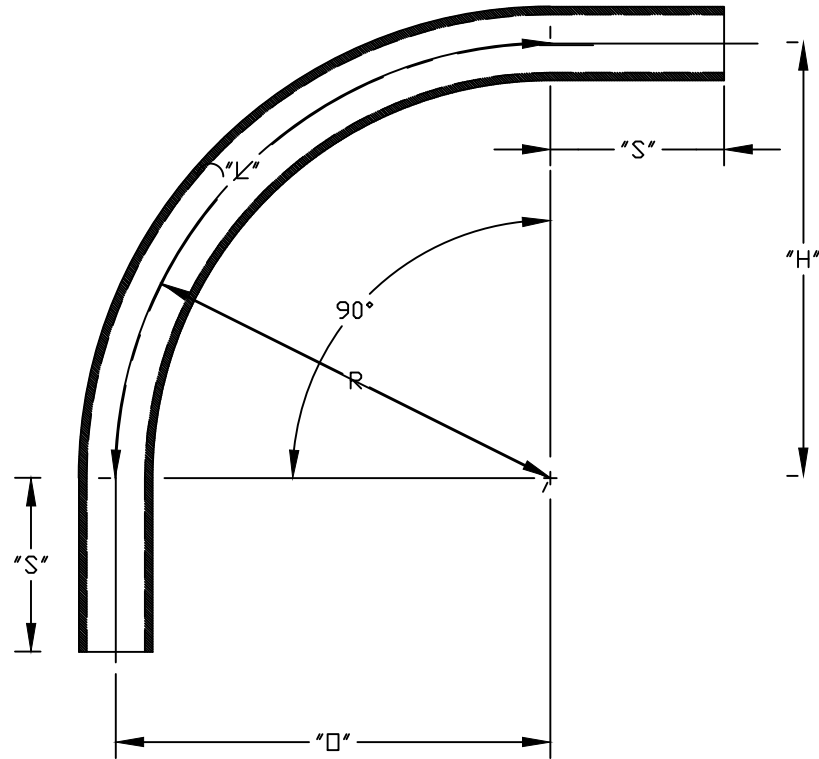


PART NUMBER	SIZE	"R"	"□"	"H"	"S" MIN	"B" MIN	"L"
5121846	1"	18"	18"	18"	1 7/8"	N/A	28 1/4"
5119822	1 1/4"	18"	18"	18"	2"	N/A	28 1/4"
5121848	1 1/2"	18"	18"	18"	2"	N/A	28 1/4"
5121099	2"	18"	18"	18"	2"	N/A	28 1/4"
5121027	2 1/2"	18"	18"	18"	3"	N/A	28 1/4"
5121079	3"	18"	18"	18"	3 1/8"	N/A	28 1/4"
5121066	4"	N/A	N/A	N/A	N/A	N/A	N/A



ETL LISTED
 CONFORMS TO UL651
 ETL CONTROL #3107144
 CONFORMS TO NEMA TC3
 SEE NEC ARTICLE 352 FOR USE
 MATERIAL IS RIGID PVC
 BEND TOLERANCE IS ±2°

Dimensions are nominal



CANTEX INC. Fort Worth, TEXAS		
90° Elbows Plain End Schedule 80 18" Radius Elbows		
Drawn By: O.M.	Date: 8/7/17	Ref. 5121846