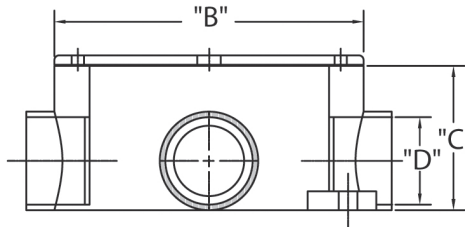
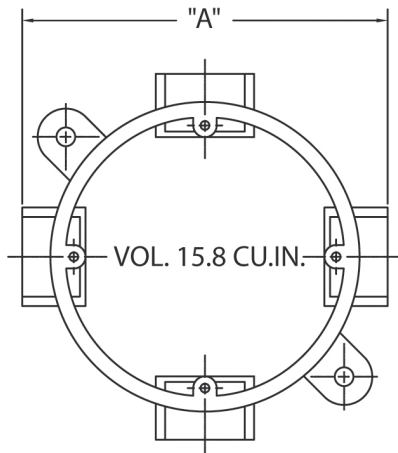


Round Junction Box

Round Junction Boxes are designed to support electrical devices, providing necessary protection for wires and terminals. They are 4" round enclosure with four entrance hubs. Round Junction Boxes are surface mounted to walls or ceilings to terminate conduit runs or join two to four conduits at a common point.



- Material is Rigid PVC
- 1/2 in. and 3/4 in. socket outlets
- Includes cover, gasket, and screws
- UL Listed
- Made in USA



Part Number	Trade Size	Carton Quantity	"A"	"B"	"C"	"D"
5133690	1/2 & 3/4	15	4.750	4.063	1.875	1.063

Dimensions are nominal



SINGLE SOURCE FOR PVC ELECTRICAL

CANTEX offers an all-inclusive line of Schedule 40 & Schedule 80 PVC electrical fittings and accessories. With several decades of experience manufacturing PVC fittings and accessories, you can trust CANTEX to provide quality products.

All of our PVC fittings are easy-to-install and offer non-conductivity, high impact, tensile strength, industry certifications, and resistance to a wide range of chemicals, acids, and salt. Our schedule 40 & 80 fittings and accessories connect seamlessly with other standard schedule 40 & 80 products making it easy to convert entire electrical infrastructures to PVC. See our full line of PVC electrical products at www.cantexinc.com.