

EZ BOX® ENT 20 Cubic Inch Ceiling Box with L-Bracket



CANTEX EN20CB is a 20 cu. in. octagon ENT Ceiling Box with an L-Bracket. It is for residential and light commercial ceiling fixture applications. It features an L-bracket for EZ installation and 6 knockouts for multiple wiring options.

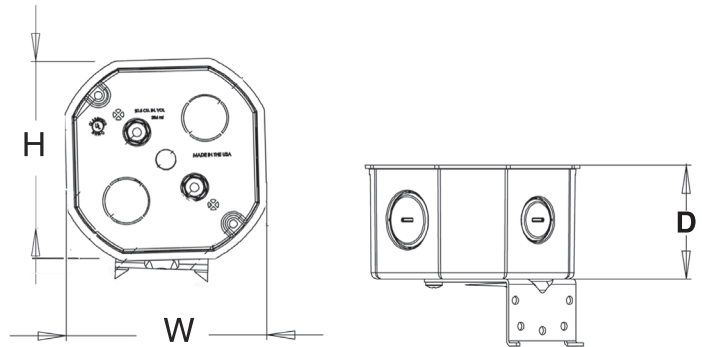
- Multiple 1/2 and 3/4 in. knockouts for ENT tubing options
- Not suitable for ceiling fans
- Supports fixtures up to 50 lbs.
- Engineered for easy, cost saving installation and constructed with durable polycarbonate for extra strength
- ETL Listed, ETL 2 Hour Fire-rated
- Made in USA



2 hour fire-rated

Part Number	Carton Quantity	Height	Width	Depth
EN20CB	50	3.670	3.670	2.200

Dimensions are nominal



CANTEX ENT Line (Electrical Nonmetallic Tubing)

EZ Flex® Flexible ENT Electrical Nonmetallic Tubing is a high performance, low cost alternative to electrical metallic tubing. Since the corrugated design allows bending by hand, it eliminates the need for bending equipment and/or special tools, which reduces installation time dramatically.

Our EZ BOX® ENT Boxes are designed for use with our light, flexible and strong ENT Tubing. With specifically designed concentric knockouts, they are perfect for creating ENT electrical systems with ENT Tubing and ENT fittings. All our PVC ENT products are made of resilient non-conductive PVC that won't corrode or conduct electricity. They can be used with ENT snap-in fittings or standard Schedule 40 fittings.

CANTEX offers a complete line of ENT tubing, fittings and accessories to meet all of your electrical ENT needs. Since our ENT fittings & accessories connect seamlessly with our ENT tubing, they make it easy to convert entire electrical infrastructures through a single source—CANTEX.

